



Insist on Safe Water. Insist on

ZERO B
PURE WATER SOLUTIONS

APPLICATION

Zero B Puriline 4L can be used in offices, households, hospitals, hotels, restaurants, shopping malls, for safe drinking water. Zero B water can also be used for washing vegetables and fruits which are eaten raw, and for making ice cubes.



WARNING

It is not advisable to pass water which is close to freezing temperatures and not water above 50 deg. (too hot to wash in) through the Zero B Puriline 4L since this may damage the purifying medium. Water with a high salinity is rendered safe but the life of purifying medium may be reduced.

EASY TO MAINTAIN

Your Zero B Puriline 4L is absolutely easy to maintain, so simple you can do it yourself. Under normal water conditions you will need to service your Zero B Puriline 4L once a month. However, if inlet water is extremely turbid, we recommend you to do so twice every month. It tends to get clogged if not cleaned periodically.

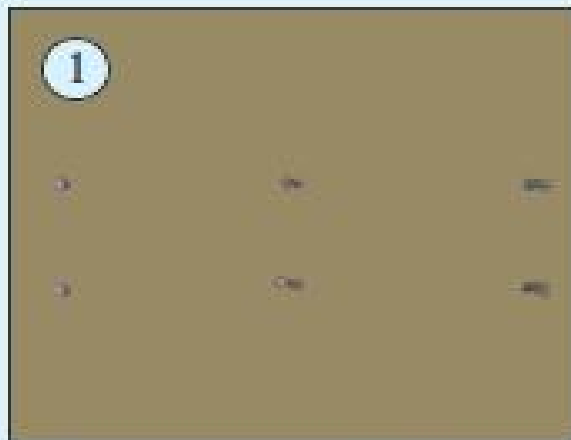
This is how you clean it:

- i) Before opening the unit, close the inlet valve and drain all the water present in the unit through the tap.
- ii) To open the unit :
 - a) Insert it from bottom of PU Housing.
 - b) Adjust the ribs of Housing in the slots of spanner.
 - c) Turn clockwise to open.
- iii) Remove the filter bag, scrub with nano and clean it with a jet of water. Avoid using powders, soap or chemicals to wash the bag.
- iv) Unscrew the Resin cartridge, invert it and hold it under the jet of water (back wash). Shake the unit dry.
- v) Similarly you can clean the carbon (BAC) cartridge.
- vi) While cleaning, you can also clean the base of Housing by rubbing the body with a scrubber.

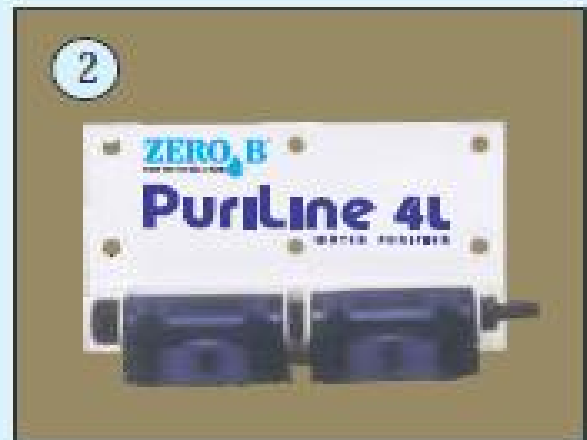
Three stage purification process.



EASY TO INSTALL



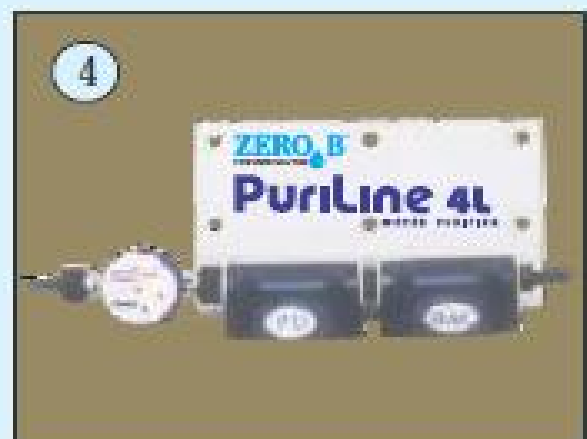
Drill holes in wall, put Rawl Plugs and fit the screws.



Match the water flow direction with the arrow direction on the Base.



Put the 'PU' Sticker on the first Base and 'BAC' on the second Base.



Attach Water Meter before the 'PU' Base.



5 Attach Resin Cartridge (Smaller of the two cartridges) to the Base marked 'PU'.



6 Put Filter Bag over the Cartridge.



7 Attach Carbon Cartridge (the bigger one) to the Base marked 'BAC'.



8 Attach Housings to the respective Bases.

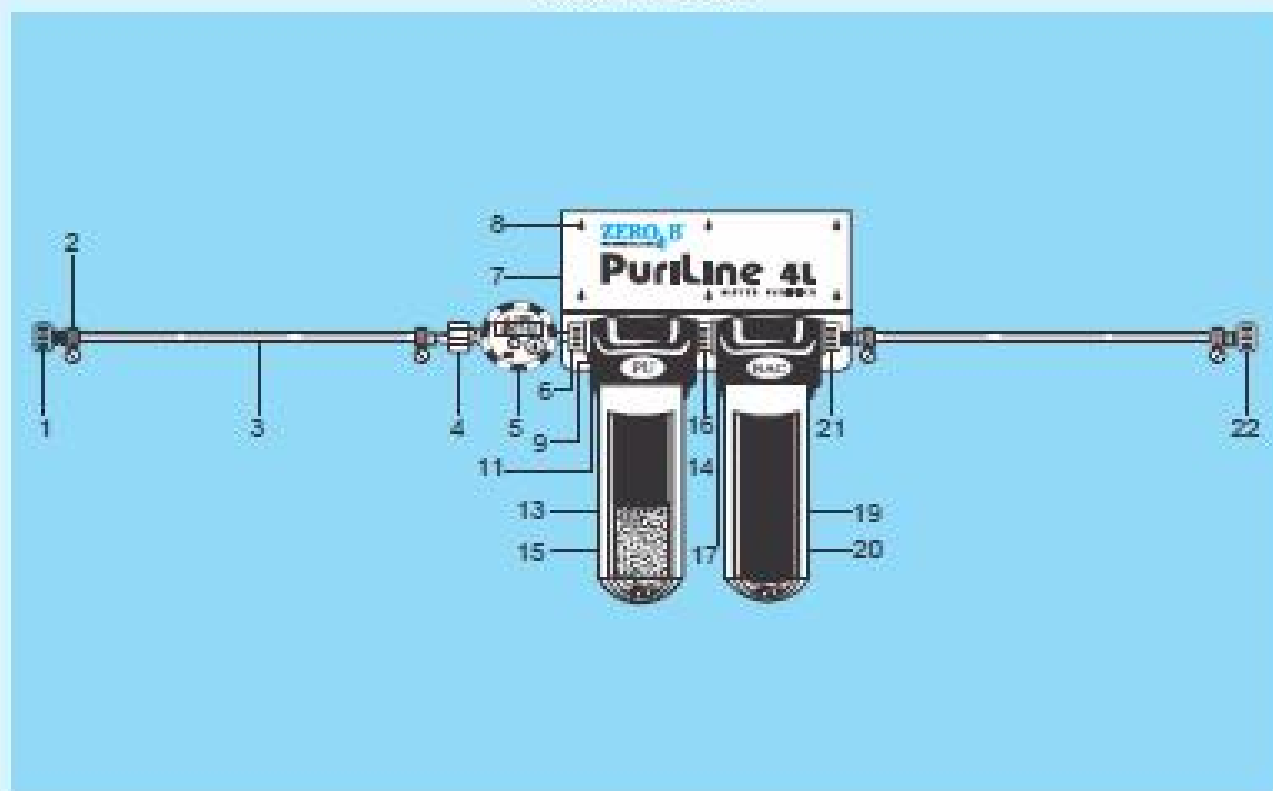


9 Attach EVA Tube between water source & water meter.



10 Attach EVA Tube between 'BAC' Base and Cooler. Now your Zero B PURILINE 4 L is ready for use.

Cross-section



1. Female ½" BSP Nipple with Neoprene Washer.
2. Hose Clip.
3. EVA Tube.
4. ¾" BSP Female Nipple with Neoprene Washer.
5. Water Meter.
6. ½" BSP male to ¾" Female Adaptor with 1 'O' Ring & Washer.
7. Base Plate.
8. 6 Rawl Plugs with Screws.
9. Brackets - 2 nos.
10. Nuts & Bolts - 4 Nos.
11. Base for 'PU'.
12. 'PU' Sticker.
13. Housing for 'PU'.
14. 'PU' Cartridge.
15. Filter Bag.
16. Nary Adaptor with 2 'O' Rings.
17. Base for 'BAC'.
18. 'BAC' Sticker.
19. Housing for 'BAC'.
20. 'BAC' Cartridge.
21. ½" BSP Male Nipple with Neoprene 'O' Ring.
22. ½" BSP Female Nipple with Neoprene Washer.

ZERO B
PURE WATER RELATION

Puriline 4L
WATER PURIFIER

CONGRATULATIONS!

We welcome you to the large and growing Zero B family. You now own one of the simplest and safest water purification systems, that comes to you from Ion Exchange (India) Ltd. Each unit is backed by the company's seal of assurance and supported by each employee's commitment to deliver safe drinking water to you.

ZERO B RESIN TECHNOLOGY

Zero B Puriline 4L is an advanced water purification system based on the globally acclaimed RESIN technology—a proven concept of water purification.

As water flows through the purifying medium, iodine is gradually released, effectively eliminating harmful water-borne bacteria which cause diseases like Diarrhoea, Dysentery, Gastro-enteritis, Cholera, Typhoid and Viruses like Polio, Coxsackie and ECHO.

ZERO B PURILINE 4L

Zero B Puriline 4L is an online water purifier with a three stage purification process.

- 1) Purification I- In the first stage, water is passed through a filter bag which removes all suspended impurities such as dirt, dust and mud.
- 2) Purification II- The water then moves to the Purifying Unit where the purifying medium eliminates water-borne bacteria and viruses.
- 3) Purification -III - The BAC chamber (Bacteriostatic Activated Carbon) removes foul taste, odour, and colour from water, giving you natural tasting water at all times.

PRODUCT FEATURES

FILTER BAG : Special EVA coated Filter Bag removes all suspended impurities such as dirt, dust and mud from water. Made of superior quality material, it requires to be scrubbed gently to clean.

REFILL CARTRIDGES: Two replaceable cartridges

- I. PU - Purifies water with resin technology by killing the bacteria and viruses.
- II. BAC - Removes foul taste, colour and odour from water, giving you natural tasting water.

Cartridges are to be replaced after 40,000 litres of water is purified.

WATER METER: Indicates the quantity of water purified from the unit.

OUTFLOW : Unit can give an output of 4 litres/minute (approx. 20 glasses).

ADVANTAGES OF ZERO B PURILINE 4L

Zero B Puriline 4L eliminates disease-causing bacteria and viruses. It removes bad taste, colour and odour from water to give natural tasting water. The unit works without electricity. It requires minimum service, and is practically self-serviceable.

Zero B technology being simple does not depend on electronic gadgets or serviceable parts to function effectively. Water Meter will indicate the amount of water purified.

Product Details

Size (LxBxH)	445x145x445mm
Cartridge Life	40,000 litres
Weight	3.8 kgs. (approx.)
Model	Kitchen and Counter
Maximum Working Pressure	6.0 kg/cm ²
Minimum Working Pressure	0.5 kg/cm ²
Operating Flow	4 litres / min.

The flow may reduce if the filter gets clogged or if the pressure in the line is low.



Home Water Solutions: Ion Exchange (India) Ltd., Ion House
Dr. E. Moses Road, Mahalaxmi, Mumbai-400011,
Tel.: 022-39132222 / 2207, Fax: 022-24938737 • SMS ZEROB to 53536
Email: zerob@ionexchange.co.in • Website: www.zerobonline.com
